



Agilent M9045B PCIe ExpressCard Adapter

DISCOVER the Alternatives...

Industries and Applications

- Aerospace and defense
- Communications
- Electronics test
- Semiconductor testing

Product Description

The M9045B is a PCIe® interface card that can be used with an Agilent AXIe chassis, such as the M9502A/5A, or a PCIe cable interface, such as the M9021A.

This adapter uses the ExpressCard 34 format typically found in laptop computers. It provides a x1 Gen 1 link to the computer (One Stop OSS-PCIE-HIB2-EC-x1).



... Agilent **Modular** Products

Models

M9045B ExpressCard adapter

Main Features and Benefits

Product features	Your benefit
ExpressCard format and low power consumption	Provides a transportable solution
Standard PCIe over cable	Allows use with any computer with PCIe ExpressCard interfaces
Transparent operation with application software	Delivers ease of installation

Characteristics

Hardware	
Card format	PCIe ExpressCard 34
Dimensions	34 mm (1.34 in) x 110.8 mm (4.36 in)
Number of PC slots	1
Data bandwidth (max)	250 MB/s
Connector	x1 PCIe cable connector
Cable length	Up to a 7-meter passive cable supported

For more complete specifications and manuals, visit the OSS Web site: <http://www.onestopsystems.com/>

This product comes with a one year warranty and can be returned to either Agilent or OSS for warranty service.



Agilent Technologies



Figure 1. M9045B and Y1200B

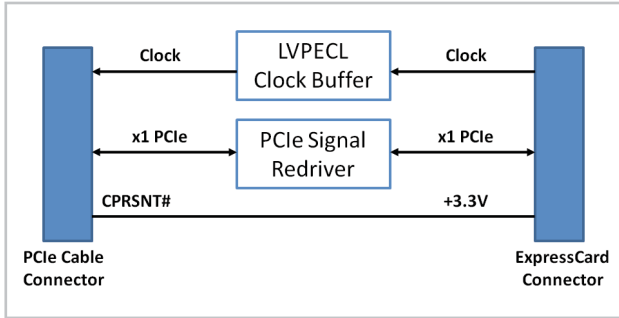


Figure 2. M9045B diagram

PCIe® is a registered U.S. trademark and/or service mark of PCI-SIG.

Typical Product Configuration

Model	Description
M9045B	PCIe ExpressCard adapter: Gen 1
Y1200B	PCIe cable

Ordering Information

Model	Description
M9045B	PCIe ExpressCard adapter: Gen 1

Related Products

M9021A	PCIe cable interface: Gen 2, x8
M9502A	2-slot AXIe chassis
M9505A	5-slot AXIe chassis

Accessories

Y1200B	PCIe cable: x1 to x8, 2.0m (used with M9045B)
--------	---

Discover Agilent



www.agilent.com

www.agilent.com/find/modular

www.agilent.com/find/pxi-chassis

USA: (800) 829-4444

For more information on Agilent Technologies' products, applications, or services, please contact your local Agilent office. The complete list is available at: www.agilent.com/find/contactus

Product specifications and descriptions in this document subject to change without notice.

© Agilent Technologies, Inc. 2011 Printed in USA, October 26, 2011
5990-8472EN



Agilent Technologies